

### 1. Technical Specifications

Product type	Bluetooth® Wireless Trailing Edge Dimmer Module
Mains voltage	230VAC 50Hz
Load	1-150VA (Capacitive) / 1-150W (Resistive)
Stand-by power	<0.5W
Operation frequency	2.4 GHz - 2.483 GHz
Transmission power	4 dBm
Range (Typical)	10 - 30m
Protocol	Bluetooth® 5.0 SIG Mesh
Operation temperature	Ta: -20°C -- +45°C
Case temperature (Max.)	Tc: +80°C
Storage temperature	-20°C ~ +60°C
Max. relative humidity	20 - 90%
IP rating	IP20
Impulse withstand voltage	2.5KV
Duty type	S1
Insulation material	PTI material group IIIa
Glow wire	Level 3, 850°C
Protection	Built-in protection provided
Insulation	Class II Pollution degree 2
EMC standard (EMC)	EN55015, EN61547, EN61000-3-2, EN61000-3-3
Safety standard (LVD)	IEC 61058-1, EN 61058-1, IEC 61058-1-2, EN 61058-1-2, AS/NZS 61058.1
Radio Equipment (RED)	EN300 328, EN301489-1, EN301489-17, EN62479

### 2. Download the App

Free App for set-up and commissioning

**Bluetooth 5.0 SIG mesh**





iOS 10.0 or later





Android 5.0 or later

---



Web app/platform:  
iot.koolmesh.com

### 3. Dimming Interface Operation Notes

Switch-Dim

The provided Switch-Dim interface allows for a simple dimming method using commercially available non-latching (momentary) wall switches. Detailed Push switch configurations can be set on Koolmesh app.

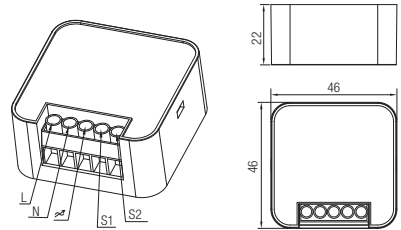
Switch Function	Action	Descriptions
Push switch	Short press (<1 second) * Short press has to be longer than 0.1s, or it will be invalid.	- Turn on/off - Recall a scene - Exit manual mode - Turn on only - Do nothing
	Double push	- Turn on only - Exit manual mode - Do nothing - Recall a scene
	Long press (≥1 second)	- Dimming - Colour tuning - Do nothing
Simulate sensor	/	- Upgrade a normal on/off motion sensor to a Bluetooth controlled motion sensor

WWW.HYTRONIK.COM

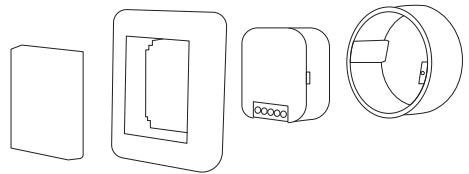
### 4. Installation

#### ⚠ Warnings:

1. Installation must be carried out by a qualified engineer in accordance with local regulations.
2. Disconnect power supply before installing.
3. Ensure environmental conditions are suitable for electronic equipment.



Typical Switch Box Mounting

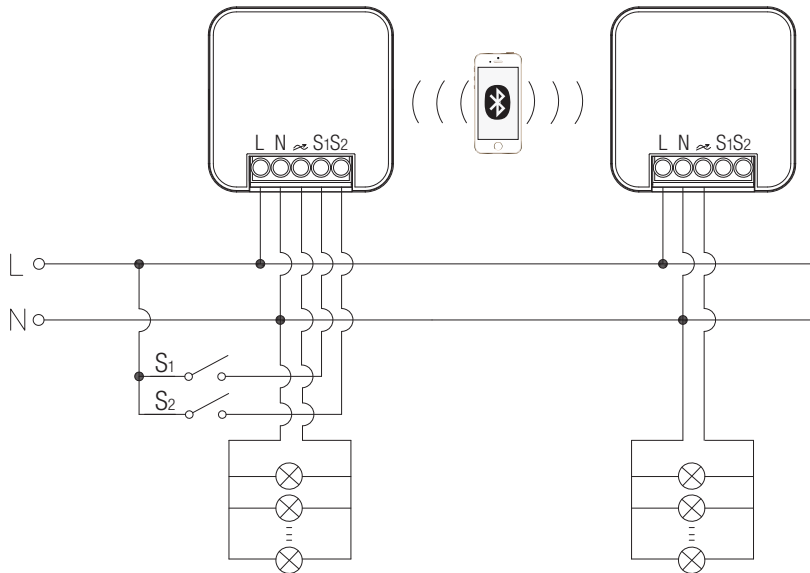


Wire Preparation



Rising clamp terminal.

HYTRONIK®



### 5. Additional Information / Documents

1. To learn more about detailed product features/functions, please refer to [www.hytronik.com/download](http://www.hytronik.com/download) ->knowledge ->Introduction of App Scenes and Product Functions
2. Regarding precautions for Bluetooth product installation and operation, please kindly refer to [www.hytronik.com/download](http://www.hytronik.com/download) ->knowledge ->Bluetooth Products - Precautions for Product Installation and Operation
3. Data sheet is subject to change without notice. Please always refer to the most recent release on [www.hytronik.com/products/bluetooth-technology](http://www.hytronik.com/products/bluetooth-technology) ->Bluetooth Dimmers
4. Regarding Hytronik standard guarantee policy, please refer to [www.hytronik.com/download](http://www.hytronik.com/download) ->knowledge ->Hytronik Standard Guarantee Policy